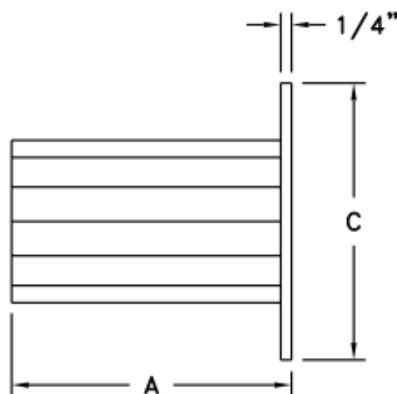
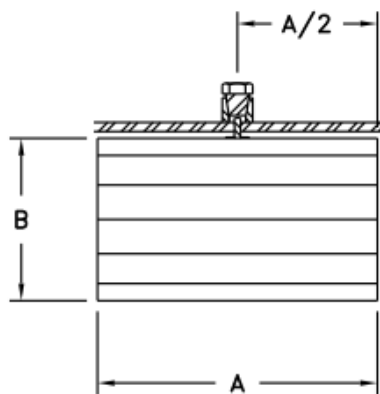


## Size and Type of Vane Installation

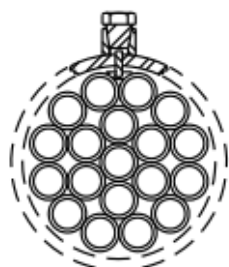
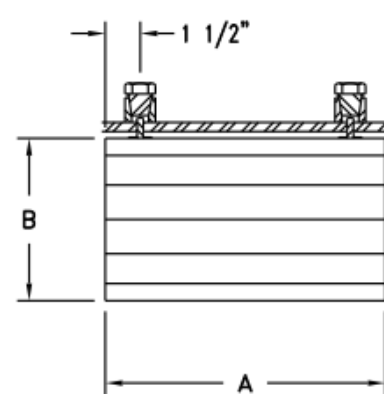
Flange Model  
All Sizes



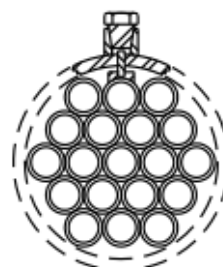
Line Model  
2" – 10"



Line Model  
12" & Up



Type II  
Concentric Bundle



Type III  
Scallop Bundle

