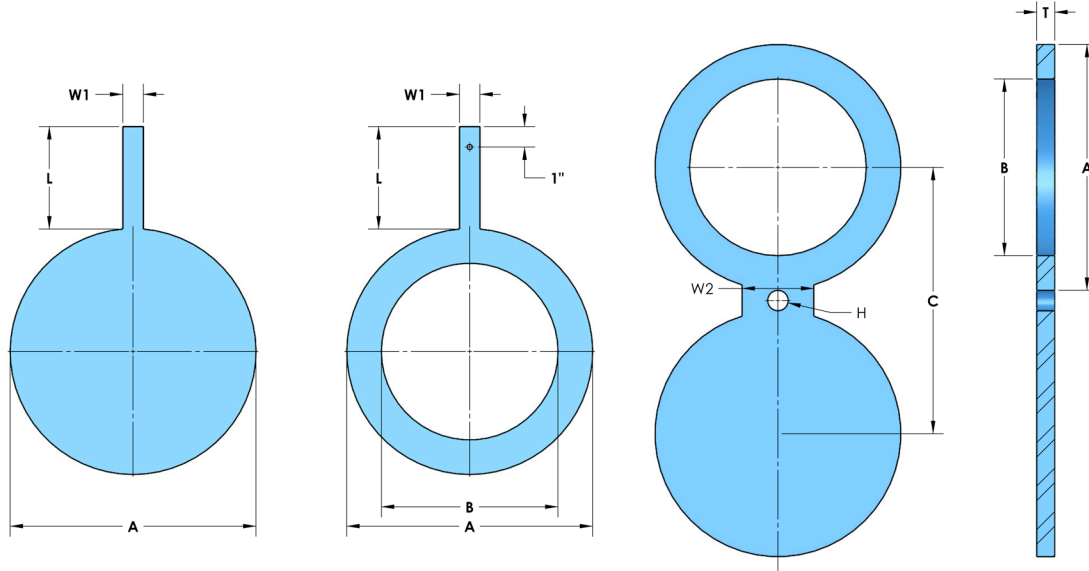


## ANSI 150# Raised Face/Flat Face



Type 1  
Paddle Blind

Type 1A  
Paddle Spacer

Type 2  
Spectacle Blind

Dimensional Data (in)									Approximate Weights (lbs)		
Size	A	B	C	T	L	W1	W2	H	1	1A	2
1/2	1.75	0.62	2.38	0.25	4	1.0	1.5	N/A	1	1	1
3/4	2.12	0.82	2.75	0.25	4	1.0	1.5	N/A	1	1	1
1	2.50	1.05	3.12	0.25	4	1.0	1.5	N/A	1	1	1
1 1/4	2.88	1.66	3.50	0.25	4	1.0	1.5	N/A	1	1	1
1 1/2	3.25	1.90	3.88	0.25	4	1.0	1.5	N/A	1	1	2
2	4.00	2.38	4.75	0.25	4	1.0	2.0	N/A	2	1	2
2 1/2	4.75	2.88	5.50	0.25	4	1.0	2.0	N/A	2	2	3
3	5.25	3.50	6.00	0.25	4	1.0	2.5	N/A	2	2	3
3 1/2	6.25	4.00	7.00	0.38	4	1.0	2.5	0.750	4	3	6
4	6.75	4.50	7.50	0.38	4	1.0	2.5	0.750	5	3	7
5	7.62	5.56	8.50	0.38	4	1.0	3.0	0.875	6	3	8
6	8.62	6.62	9.50	0.50	4	1.0	3.0	0.875	9	4	13
8	10.88	8.62	11.75	0.50	4	1.0	3.0	0.875	14	6	19
10	13.25	10.75	14.25	0.62	5	1.0	4.0	1.000	26	10	34
12	16.00	12.75	17.00	0.75	5	1.5	4.0	1.000	45	18	60
14	17.62	14.00	18.75	0.75	5	1.5	4.25	1.125	54	21	73
16	20.12	16.00	21.25	0.88	5	1.5	4.25	1.125	81	31	110
18	21.50	18.00	22.75	1.00	5	1.5	4.50	1.250	106	33	136
20	23.75	20.00	25.00	1.12	5	1.5	4.75	1.250	144	44	185
24	28.12	24.00	29.50	1.25	5	1.5	5.50	1.375	223	63	283